



BEAST-230 TRAIN HORNS

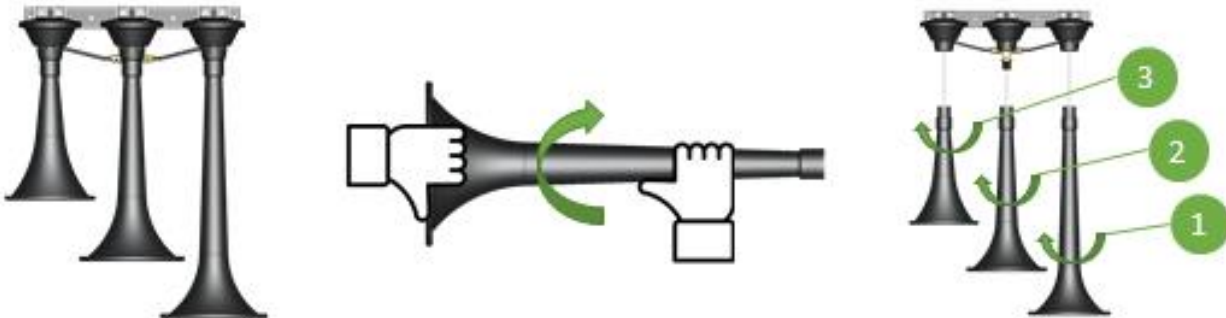
Horn Disassembly Instructions

PREFACE

These instructions guide disassembly of Kleinn's The Beast 230 train horn kit, which comes separately boxed inside of your direct bolt-on vehicle specific kit. Disassembly is required to allow individual trumpets to be installed separately using supplied bracketry.



1. [Unpackage Train Horn Kit](#)
2. [Disassemble Train Horn Kit](#)
3. Remove trumpets from drivers and set aside.
 - a. Starting with largest trumpet, tightly grasp trumpet with both hands and unscrew counter clockwise; trumpet may be very tight. Repeat on medium trumpet, then small.
 - i. Drivers are identical and do NOT require marking Small, Medium, Large
 - b. If necessary, clamp horn mounting plate to rigid table, in vise, or seek help to hold plate.

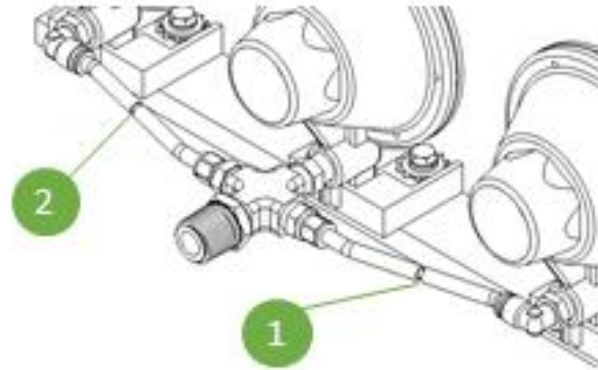


4. Cut semi-rigid plastic air tubing between horns.
 - a. Use sharp side/diagonal cutters, or equivalent to safely sever tubing.



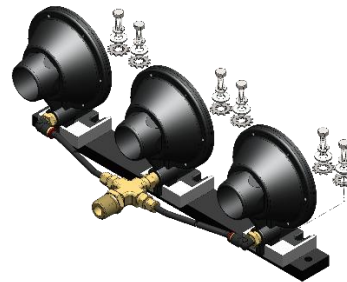
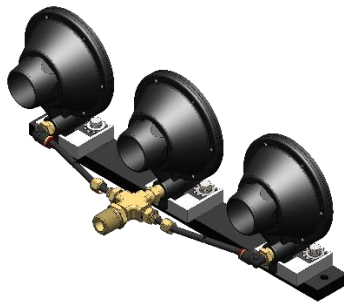
BEAST-230 TRAIN HORNS

Horn Disassembly Instructions

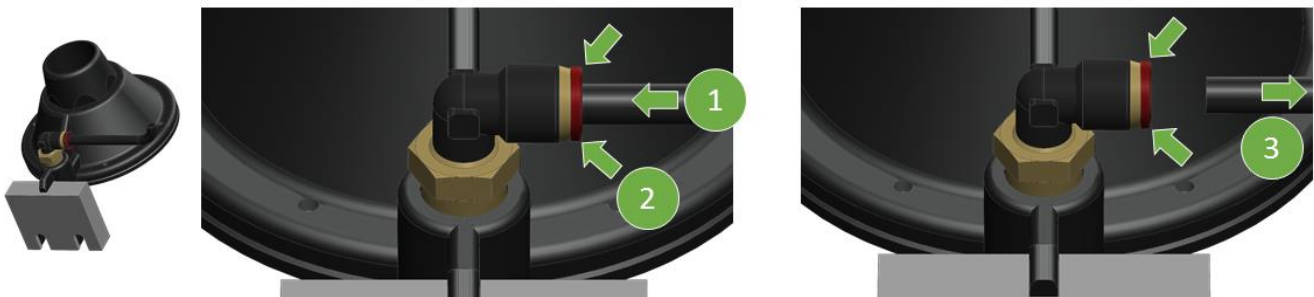


WARNING: tubing is difficult to sever using any type of fixed blade (i.e., knife, razor blade, box cutter, etc.)

5. Loosen Compression Nuts on center driver and remove horn drivers from mounting plate.
 - a. Use properly sized socket, or box-end wrench.
 - b. Horn mounting plate and fasteners will NOT be re-used during installation.



6. Remove cut tubing from fittings.
 - a. Using slip-joint pliers, or equivalent, pull and twist off tubing connected to compression fittings.
 - b. Depress collar on quick release fitting with one hand, then twist and pull plastic tube out with other hand. If necessary, use slip-joint pliers, or equivalent to twist and pull tubing out.



- c. For further instruction on properly using quick fittings, reference this [SMC Video](#)
- d. Discard old tubing.